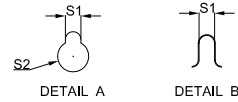
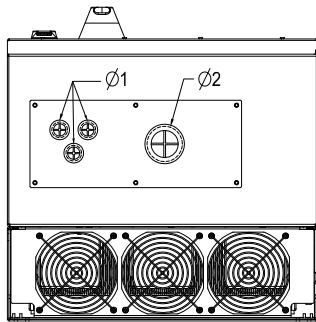
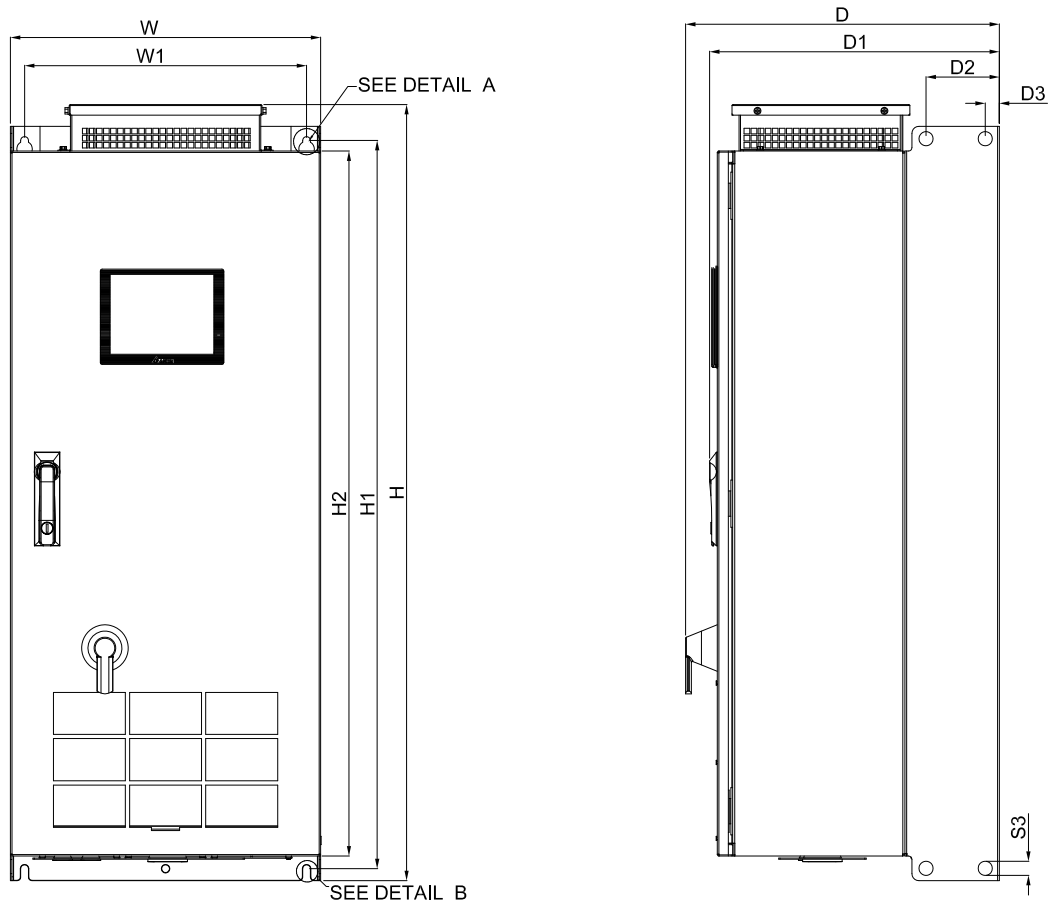


DRAWING_1



DIMENSIONAL



UNIT:mm[inch]

Frame	W	W1	H	H1	H2	D	D1	D2	D3	S1	S2	S3	Ø1	Ø2
APF100A43A-31	440[17.32]	400[15.75]	1101[43.35]	1033[40.67]	1000[39.37]		411[16.18]	104[4.09]	20[0.79]	11[0.43]	22[0.87]	20[0.79]	22.2[0.87]	50[1.97]
APF100A43B-31	440[17.32]	400[15.75]	1101[43.35]	1033[40.67]	1000[39.37]	445[17.52]	411[16.18]	104[4.09]	20[0.79]	11[0.43]	22[0.87]	20[0.79]	22.2[0.87]	50[1.97]



台達電子工業股份有限公司
DELTA DELTA ELECTRONICS, INC.

THESE DRAWINGS AND SPECIFICATIONS ARE THE PROPERTY OF DELTA ELECTRONICS, INC. AND SHALL NOT BE REPRODUCED OR USED AS THE BASIS FOR THE MANUFACTURE OR SELL OF APPARATUSES OR DEVICES WITHOUT PERMISSION.

DOCUMENT NAME

APF-100A-IP31-PD

DRAWING_2

1.MODEL:
APF100A43A-31
APF100A43B-31

04		
03		
02		
01		
00	FIRST ISSUE	2012/03/22
REV.	DESCRIPTION	DATE
DRAWN	PoCheng.Chou	DESIGN PoCheng.Chou